

EEGTY Series

20KW Wind Turbine Controller On-grid



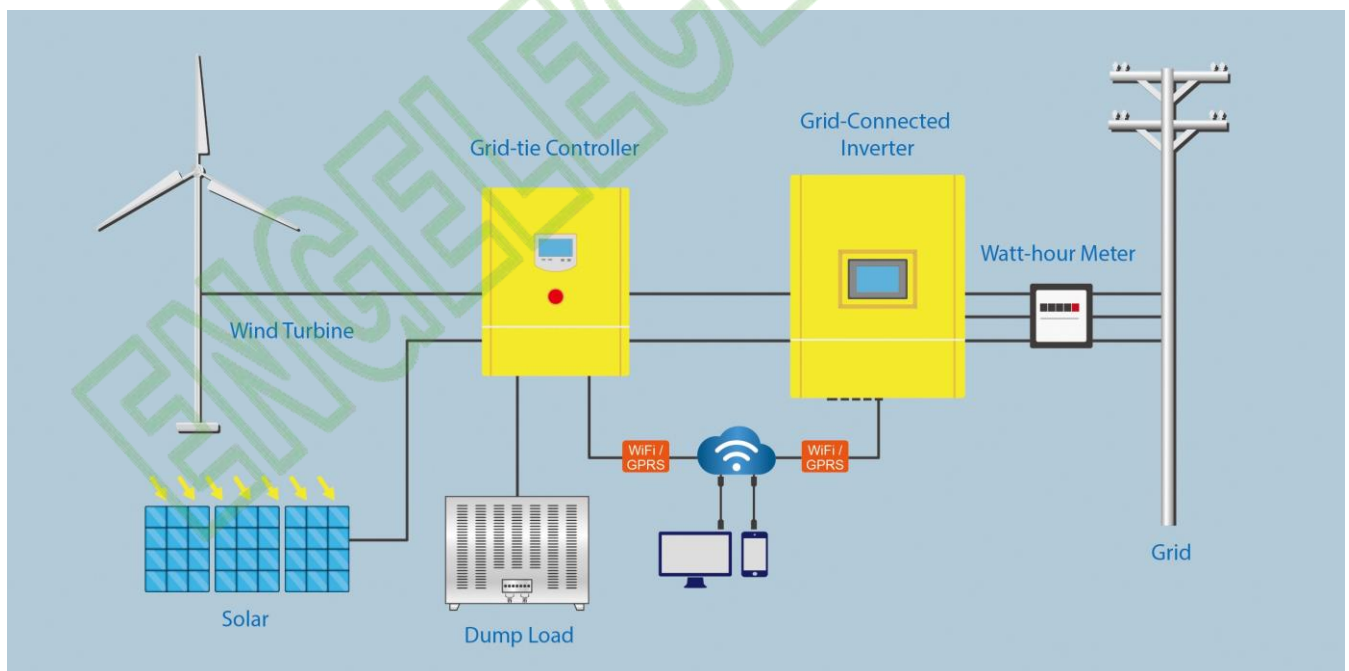
Product Features:

- The product is manufactured according the JB/T6939.1-2004 industrial standard and GB/T 19115.1-2003 national standard also with users' technical requirements.
- Big LCD display. The images tell working state visually. Various data show: real-time wind turbine voltage, current, solar panel voltage, current, DC output voltage, current, total power generation(The main board is with button battery, in case of power failure, history data can be saved for 30 days)
- Two sets of control systems: PWM constant voltage system and three-phase dump load system.
- PWM constant voltage control is 120% of the rated power of the wind turbine. In case exceeding of PWM's capacity, the three-phase dump load will automatically start immediately. After 10-20 minutes, the three-phase dump load will stop and the wind turbine will re-start to resume power supply to ensure the safe running of the overall wind turbine generation system.
- When the strong or super-strong wind conditions, the controller can conduct constant voltage output to ensure the inverter safety running.
- When the condition of disconnected grid-connected inverter, the controller can conduct constant voltage output and wait for inverter resumption.
- When the grid is cut off, the three-phase dump load of the controller will automatically start to work and the inverter will stop output to grid. When the grid resuming, the controller stops three-phase dump load and the inverter will resume power supply.
- The inside of the controller is equipped with surge protector. Contain the over voltage into the wind turbine under the bearable voltage of the equipment or system. On another way, to conduct the strong lightening current into the earth directly to avoid any damage of equipment.
- The controller is equipped with emergency stop switch; in case of emergency, press down the emergency stop button in the front panel to cut off all power supply of the controller and the wind turbine will immediately brake (three-phase dump load) .
- The controller is equipped with manual three-phase dump load switch. To using this switch, the wind turbine will brake (three-phase dump load).

Optional Functions:

- Adopt Modbus Communication protocol. Convenient to carry out the secondary development.
- Adjusting the technical specification via RS485 is available. Convenient to adjust the different wind turbines for professional customers.
- Support WIFI and GPRS. Customers can monitor the real-time working state of the on grid wind power system via PC and mobile and query history working state. Both Android and OS are compatible in Mobile.
- Can increase the solar panel control system according to customer requirements.
- For the different wind turbine, the controller can be equipped with mechanical yawing, rotate tail control, furred empennage, mechanical brake, hydraulic brake, electromagnetism brake and other brake functions.

Connection Diagram:



Technical Parameters

Type	EEGTY-20KW
Wind turbine rated power	20KW
Wind turbine Max. power	40KW
Wind turbine rated voltage	AC380V-400V
Function	AC380V-400V
Automatic protection function	Rectifier, control, DC output
Manual function	Over voltage protection, network electric cut off protection, regulated supply output, arrester, reset, emergency switch, Yaw control, change OARS
Display mode	Manual brake
Display content	LCD
PWM constant voltage	Wind turbine voltage, current, power; Solar voltage, current, power; DC output voltage, DC output current, DC output power, total power.
Wind turbine deflection 45° (adjustable)	≥550dc
wind turbine 3-phase dump load voltage1	580±5Vdc
wind turbine 3-phase dump load voltage2	580±5Vdc
Wind turbine deflection 90° (adjustable)	580±5Vdc
Time-lapse of the wind turbine 3-phase dump load2	12-20 min
PWM dump load fuse	63A
Fuse of DC output	80A
Wind speed (adjustable)	≥2m/s
Wind direction (adjustable)	0-360°
Work environment temperature	-30-60°C

Relative humidity	< 90% No condensation
Noise (1m)	< 40dB
Degree of protection	IP20(Indoor) IP65 (Outdoors)
Cooling method	Forced air cooling
*Communication interface (optional)	RS485/USB/GPRS/WIFI/Ethernet
*Temperature compensation(optional)	-4mv/°C/2V, -35°C~+80°C, Accuracy:±1°C
Size of the controller (mm)	600*550*1220mm
Weight of the controller	80KG
Size of the dump load (mm)	720*500*1300
Weight of the dump load	70Kg

***Above parameter only for reference only. Could be custom made to user specifications. Can add solar power control function.**

APP

APP is intelligent terminal for hybrid wind solar power, PV power station monitoring and management person. It helps users to master power station running status at anytime and anywhere, realize remote data monitoring of hybrid wind solar power and PV power station, ensure convenient management and monitoring timeliness. System displays hybrid wind solar power station and PV power station running data by visual table, includes power station power generation, benefit, CO2 emission reduction benefit, equipment running status, equipment real-time data, history data query, power generation comparison, equipment performance comparison. As fashion and intelligent application, it can let user demonstrate his hybrid wind solar power station and PV power station at any occasion, user has intuitive feeling, enhance user confidence.

- Various data output interface, support Android, iphone, ipad, windows, macOS
- Delicate and precise data, easy to operate, download and install, Wechat binded, real-time monitoring, data synchronization
- 24-hour monitoring
- Low maintenance cost
- Power station information sharing function



Optional Parts



1.RS485 to WIFI



2.RS485 to GPRS



3.RS485 to Ethernet



4.RS485 to USB

Project Sample:



