



YUEQING ENGELEC ELECTRIC POWER TECHNOLOGY CO., LTD

Ningkang West Road, Yueqing City, Zhejiang Province, China

Tel: + 86 577 61672337, Fax: + 86 577 61672339

Website: www.engelec.cn ; E-mail: jp@engelec.cn

WIND TURBINE TECHNICAL PARAMETER

EEHB-10KW Vertical Axis Wind Turbine

1. Picture





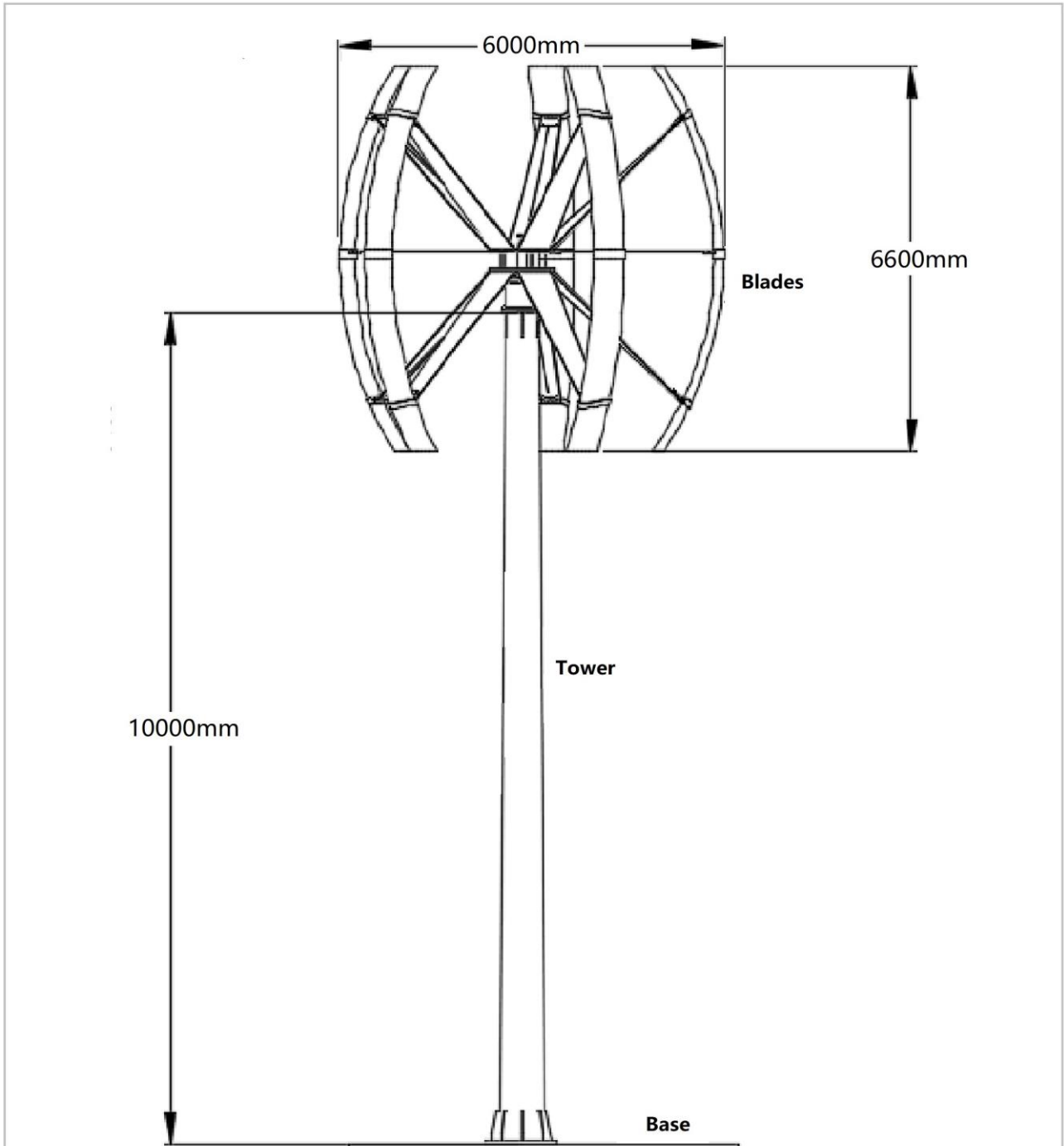
YUEQING ENGELEC ELECTRIC POWER TECHNOLOGY CO., LTD

Ningkang West Road, Yueqing City, Zhejiang Province, China

Tel: + 86 577 61672337, Fax: + 86 577 61672339

Website: www.engelec.cn ; E-mail: jp@engelec.cn

Specification & Drawing



PROPRIETARY AND CONFIDENTIAL
 THE INFORMATION CONTAINED IN THIS DRAWING IS THE SOLE PROPERTY OF <INSERT COMPANY NAME HERE>. ANY REPRODUCTION IN PART OR AS A WHOLE WITHOUT THE WRITTEN PERMISSION OF <INSERT COMPANY NAME HERE> IS PROHIBITED.

		DIMENSIONS ARE IN INCHES		NAME		DATE	
		TOLERANCES:		DRAWN			
		FRACTIONAL ±		CHECKED			
		ANGULAR: MACH ± BEND ±		ENG APPR.			
		TWO PLACE DECIMAL ±		MFG APPR.			
		THREE PLACE DECIMAL ±		Q.A.			
		MATERIAL		COMMENTS:			
		FINISH					
NEXT ASSY	USED ON						
APPLICATION		DO NOT SCALE DRAWING					

www.engelecenergy.com

SIZE: **A** DWG. NO. **10KW VERTICAL WIND TURBINE** REV.

SCALE: 1:200 WEIGHT: SHEET 1 OF 1



YUEQING ENGELEC ELECTRIC POWER TECHNOLOGY CO., LTD

Ningkang West Road, Yueqing City, Zhejiang Province, China

Tel: + 86 577 61672337, Fax: + 86 577 61672339

Website: www.engelec.cn ; E-mail: jp@engelec.cn

Power	10KW
Rotor diameter	6m
Height of blade	6.6m
Material of blades and numbers	Glass fiber reinforce plastic/5
Rated rotor speed	150r/min
Output voltage	220V/380V
Start up wind speed	3.8m/s
Rated wind speed	13m/s
Work speed	3.8-25m/s
Security wind speed	50m/s
Height of tower	10m
Top weight except tower	660kg
Tower type	133mm steel tube
Wind energy utilized coefficient	30%-40%
Suggested batteries information	36pcs 12V 200AH
Speed regulation method	electromagnetic control
Range of working temperature	-45°C -60°C

3. Structural Pictures and Description

Generator Body: We use the high grade Neodymium Iron Boron permanent magnet for generator. Every piece magnet will be test the magnetic flux by the authority institution. The low starting torque is designed by our mechanical engineer but also assure the high generating efficiency by improving the inner structure. With scientific design and practiced experience, the machine has stable and high efficiently.





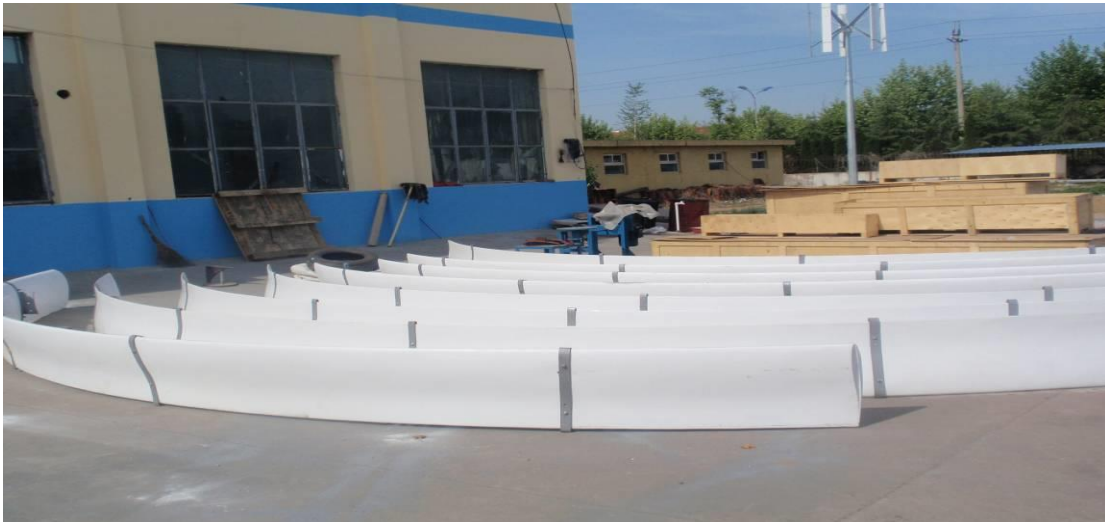
YUEQING ENGELEC ELECTRIC POWER TECHNOLOGY CO., LTD

Ningkang West Road, Yueqing City, Zhejiang Province, China

Tel: + 86 577 61672337, Fax: + 86 577 61672339

Website: www.engelec.cn ; E-mail: jp@engelec.cn

Blades Specification: Streamline shape 5 pieces reinforce fiber plastic blades. Unidirectional fiber fabric, use of epoxy resin mold made by hand. Not hollow it is inner foam, Low noise, no need to adjust and good quality of balance, no shaking and strength fatigue resistance.



Wheel Hub: Made of fine steel parts, it is used connect the blade and then install on the generator.



Blades connector: They are made of the mild steel plate and surface treatment is painting against decaying. It will connect the blades and the generator.





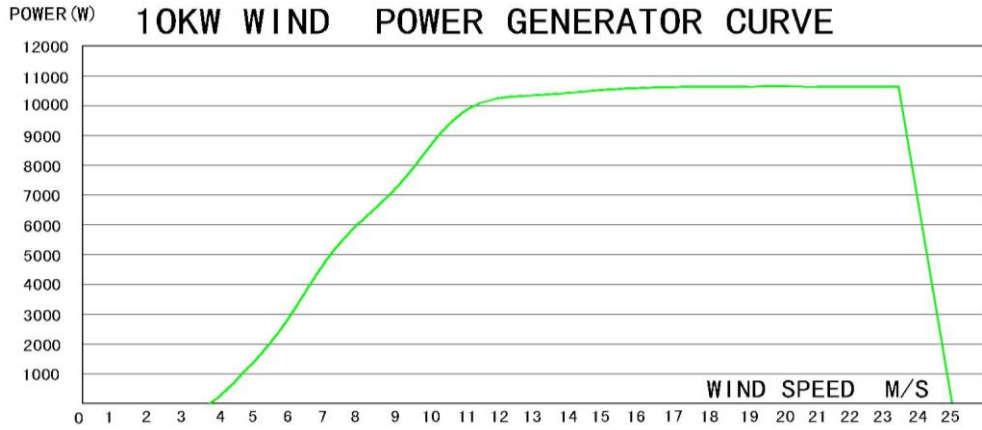
YUEQING ENGELEC ELECTRIC POWER TECHNOLOGY CO., LTD

Ningkang West Road, Yueqing City, Zhejiang Province, China

Tel: + 86 577 61672337, Fax: + 86 577 61672339

Website: www.engelec.cn ; E-mail: jp@engelec.cn

Power Curve:



Noise Curve:

