



**Part No:** EN-5KW-300R-96V

**Description:** The EN-5KW-300R-96V AC three phase permanent magnetic generator(PMG) provide best magnetic flux density with less air gap. It requires no system for the provision of field current. It is highly reliable. It contains any means for controlling the output voltage. Typically used for HAWT&VAWT wind turbine, hydro turbine where the generator output of variable voltage and frequency is supplied to a power system through an electronic frequency converter.

### Design

- 1) EN-5KW-300R-96V with multi poles in PMG, improved the power efficiency at low speed and solved unstable output voltage problem, also saved the cost. They are widely used for direct-drive horizontal axis or vertical axis wind turbines.
- 2) The best efficiency of ENGELEC PMG is over 96%.
- 3) Reasonable structure and low starting torque, solved the difficult start-up problem at low speed
- 4) Brushless, no excitation winding and control box, simple structure, no sparks, high reliability.
- 5) Imported high-speed bearing with oil-containing, which is maintenance-free, highly reliable and has long motor life.

### Advantage



#### Size

Small size, light weight and high energy density

#### Service Life

IP54 protection, 20 years long life span

#### Reliable

High strength rotor, the motor can reach high rotate speed

#### Cooling

Natural Air cooling, also can add a fan

#### Material

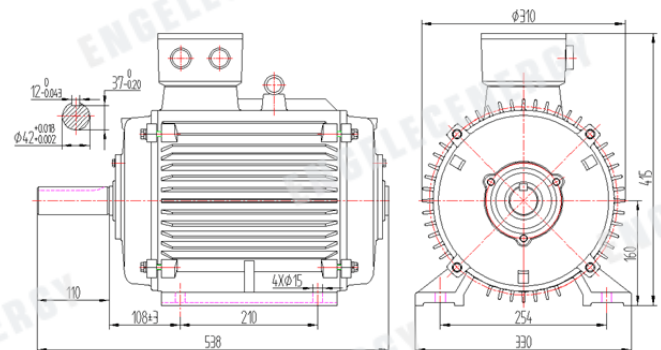
Full copper winding, NdFeB magnet rotor

### Feature

#### EN-5KW-300R-96V PMG

<b>Rated power</b>	: 5000W
<b>Rated rotate speed</b>	: 300RPM
<b>Frequency</b>	: 40Hz
<b>Rated torque</b>	: 173Nm
<b>Rated voltage</b>	: 96VAC
<b>Rated Current</b>	: 39A
<b>Start-up torque</b>	: <3.46Nm
<b>Weight</b>	130Kg
<b>Installation</b>	: Horizontal
<b>Magnet</b>	NdFeB
<b>Frame No.</b>	: Y160

EN-5KW-300R-96V Drawing



\* PMG performance is subject to many factors. All output data contained in this document is indicative and actual turbine outputs will depend on the prevailing site and installation conditions.

**ENGELEC ENERGY**

Intelligent manufacturing, Industry 5.0

Email: info@engelec.cn

www.engeleccenergy.com

Call at: (+86) 13505876536